

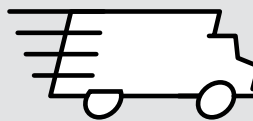
LACASSE QUICKSHIP PROGRAM

> C.A.

LACASSE QUICKSHIP PROGRAM*

Products and suggested layouts identified by this pictogram are part of the Lacasse quick delivery program.

* Due to current market conditions, always refer to our Lead-Time Guide for a confirmation of our current Lacasse QuickShip lead-times.



PROGRAM CONDITIONS AND LIMITATIONS:

- Maximum of 35 of each selected item and of each color per order.
- QuickShip products are ready for shipment **after reception of a ready-to-process order and delivered on next available trailer.**

IMPORTANT:

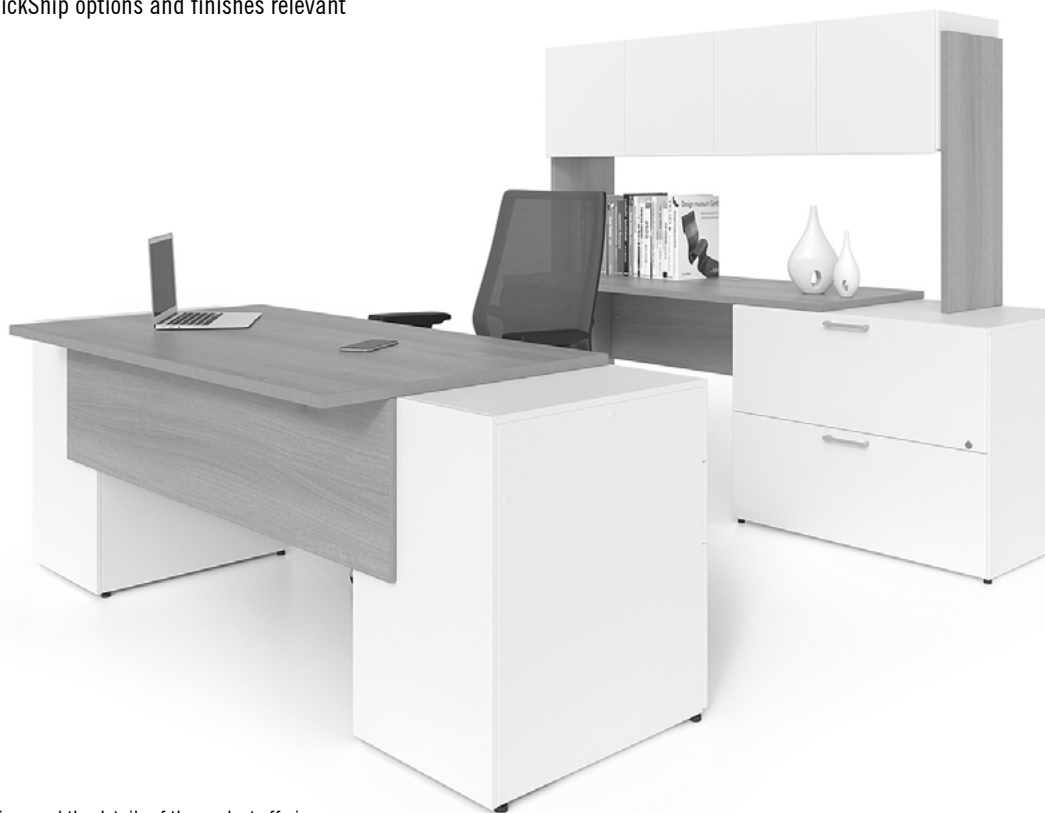
Place QuickShip orders separately from regular Lacasse orders.

When preparing QuickShip orders, indicate the code "QS" in front of the product code or the suggested layout code, i.e.: QSCA1NN-TDM3072.

AVAILABLE OPTIONS AND FINISHES:

Make sure to complete QuickShip product codes with the options and finish codes that are part of the QuickShip program. See below for the complete list of QuickShip options and finishes relevant to the C.A. collection:

- **HANDLE**
E

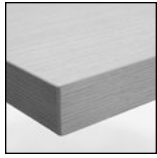


Please refer to the current LACASSE General Price Book to see all the collections and the details of the product offering.

C.A. - QUICKSHIP PROGRAM

N EDGEBANDING

Furniture with 1" (25 mm) thick tops.

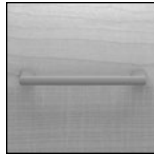


Smooth, 1/16" (1,5 mm) thick edge. The N edge is matched with the finish specified for the surface.

N Edge

E HANDLE


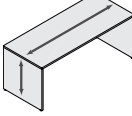
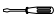
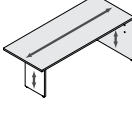
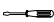
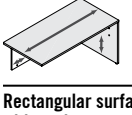

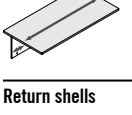
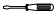
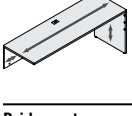

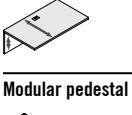

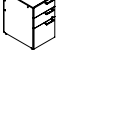
Metal handle.


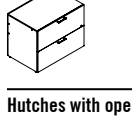
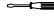
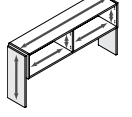

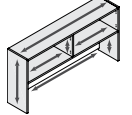

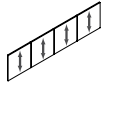

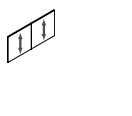


E – Square, silver

CODIFICATION

Series	Options		
	Thickness	Handle	Accent
QSCA	1 Thermofused laminate 1"	E Square	S Silver

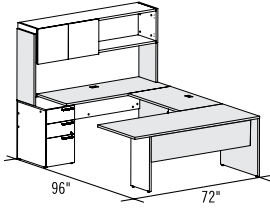
	W x D x H (in)	W x D x H (mm)	Code	Price (\$)
Desk shell 	<i>Recessed half-height modesty panel.</i>			
	72 x 30 x 29	1800 x 750 x 735	QSCA1NN-TDM3072	823
Rectangular table with modesty panel 	<i>Reversible. Half-height laminate modesty panel.</i>			
	72 x 30 x 29	1800 x 750 x 735	QSCA1NN-RTM3072	773
Rectangular surface-return with modesty panel 	<i>Reversible. Recessed half-height modesty panel. Can accommodate 1 modular pedestal or 1 lateral file unit.</i>			
	60 x 30 x 29	1500 x 750 x 735	QSCA1NN-RTS3060	605
Rectangular surface with modesty panel 	<i>Recessed half-height modesty panel. Can accommodate 2 modular pedestals or 2 lateral file units.</i>			
	60 x 30 x 29	1500 x 750 x 735	QSCA1NN-BD3060	490
Return shells 	<i>Reversible. Half-height modesty panel. Can accommodate 1 modular pedestal or 1 lateral file unit. Grommet.</i>			
	72 x 24 x 29	1800 x 600 x 735	QSCA1NS-R2472S	580
	60 x 24 x 29	1500 x 600 x 735	QSCA1NS-R2460S	563
	48 x 24 x 29	1200 x 600 x 735	QSCA1NS-R2448S	540
Bridge-return 	<i>Reversible. Half-height modesty panel. Grommet.</i>			
	42 x 24 x 29	1050 x 600 x 735	QSCA1NS-BR2442	372
Modular pedestal 	<i>2 box drawers, 1 file drawer with suspension bar. Pencil tray. Lock. Must be installed under a surface. Snow (SNO) finish only.</i>			
	16 x 23 x 28	400 x 598 x 713	QSCANES-P1623UFL	998

	W x D x H (in)	W x D x H (mm)	Code	Price (\$)
Lateral file unit 	<i>2 file drawers with suspension bar. Lock. Can be used freestanding or can be installed under a surface. Snow (SNO) finish only.</i>			
	36 x 23 x 28	900 x 598 x 713	QSCANES-2336LFL	1,282
Hutches with open back, adjustable sides – 36" H 	<i>Clearance: 19 3/16" (488 mm). Side panels allow up to 1" (25 mm) height adjustment. Can accommodate a set of 2 or 4 doors.</i>			
	72 x 16 x 36	1800 x 400 x 900	QSCANNN-EA723616	807
	60 x 16 x 36	1500 x 400 x 900	QSCANNN-EA603616	773
Hutches with closed back – 36" H 	<i>Clearance: 19 3/16" (488 mm). Grommet on the back. Can accommodate a set of 2 or 4 doors.</i>			
	72 x 16 x 36	1800 x 400 x 900	QSCANNN-E723616	807
	60 x 16 x 36	1500 x 400 x 900	QSCANNN-E603616	773
Sets of 4 doors for hutches 	<i>Hardware included.</i>			
	<i>For hutches with open back.</i>			
	72 x 16 x 36	1800 x 400 x 16	QSCANNN-EA72P4	338
	60 x 16 x 36	1500 x 400 x 16	QSCANNN-EA60P4	323
	<i>For hutches with closed back.</i>			
	72 x 16 x 36	1800 x 400 x 16	QSCANNN-E72P4	338
	60 x 16 x 36	1500 x 400 x 16	QSCANNN-E60P4	323
Sets of 2 doors for hutches 	<i>Hardware included.</i>			
	<i>For hutches with open back.</i>			
	36 x 16 x 36	900 x 400 x 16	QSCANNN-EA72P2	168
	30 x 16 x 36	750 x 400 x 16	QSCANNN-EA60P2	160
	<i>For hutches with closed back.</i>			
	36 x 16 x 36	900 x 400 x 16	QSCANNN-E72P2	168
	30 x 16 x 36	750 x 400 x 16	QSCANNN-E60P2	160

 = ASSEMBLY REQUIRED

SUGGESTIONS

CA-PLAN01



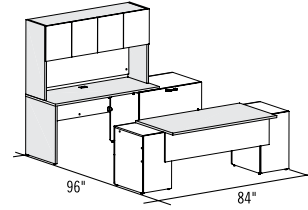
Plan shown in C.A. flyer:

QSCA1ES-PLAN01 **\$3,681**

- 1 QSCA1NN-RTM3072
- 1 QSCA1NS-BR2442
- 1 QSCA1NS-R2460S
- 1 QSCANES-P1623UFL
- 1 QSCANNN-EA723616
- 1 QSCANNN-EA72P2

Square pull (E).

CA-PLAN03



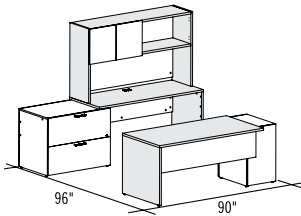
Plan shown in C.A. flyer:

QSCA1ES-PLAN03 **\$5,427**

- 1 QSCA1NN-BD3060
- 2 QSCANES-P1623UFL
- 1 QSCA1NS-R2460S
- 1 QSCANES-2336LFL
- 1 QSCANNN-E603616
- 1 QSCANNN-E60P4

Square pull (E).

CA-PLAN02



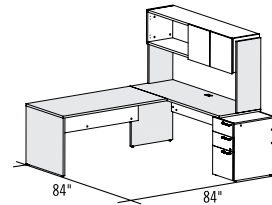
Plan shown in C.A. flyer:

QSCA1ES-PLAN02 **\$4,381**

- 1 QSCA1NN-RTS3060
- 1 QSCANES-P1623UFL
- 1 QSCA1NS-R2460S
- 1 QSCANES-2336LFL
- 1 QSCANNN-E603616
- 1 QSCANNN-E60P2

Square pull (E).

CA-PLAN04



Plan shown in C.A. flyer:

QSCA1ES-PLAN04 **\$3,158**

- 1 QSCA1NN-RTS3060
- 1 QSCANES-P1623UFL
- 1 QSCA1NS-R2472S
- 1 QSCANNN-EA723616
- 1 QSCANNN-EA72P2

Square pull (E).